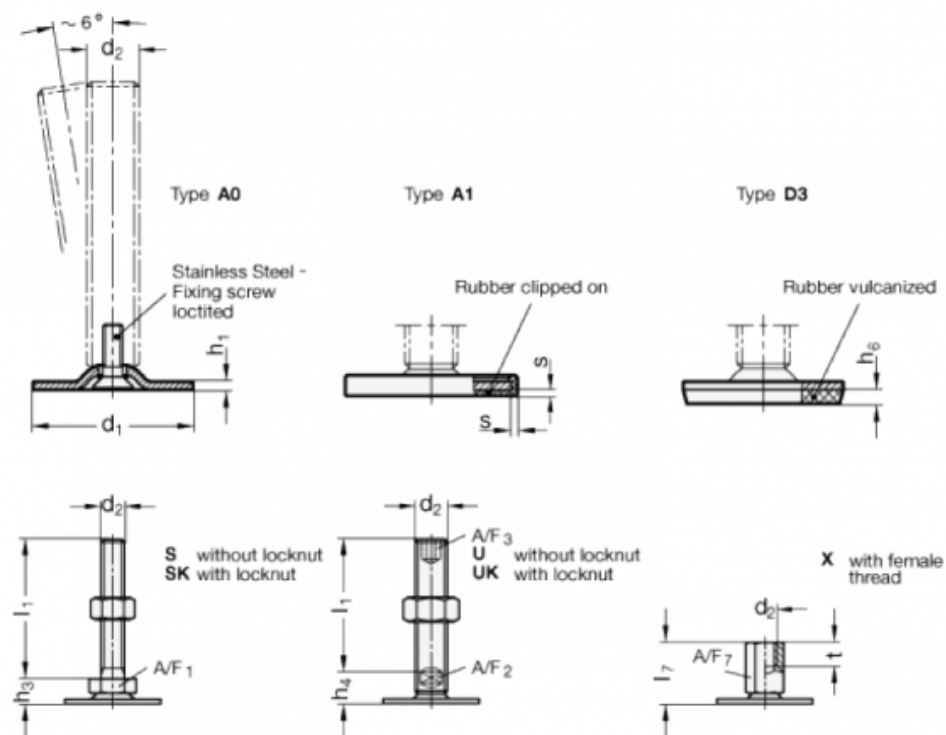


Article number: 204050M1637A3X

Description: E+G levelling foot
GN 40-50-M16-37-A3-X

Note: X With female thread, External hexagon

Measures



| | |
|------|-------|
| A/F7 | = 22 |
| d1 | = 50 |
| d2 | = M16 |
| h1 | = 2.5 |
| h6 | = 4 |
| h7 | = 37 |
| s | = |
| t | = 16 |